

# WPHE Woltmann Water Meter

## FEATURES

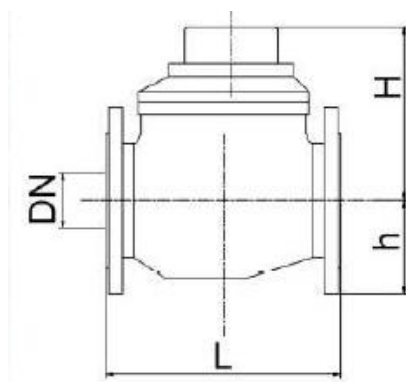
- EEC Class B Approved
- Working Pressure: 16 Bar
- Dry Dial
- For Cold (30°C) or Warm (90°C) Water
- Cast Iron Body
- Powder Epoxy Coated
- Protected Rollers
- Sensitivity Index
- Real Performances Exceed EEC & ISO Standards
- Counter Perfectly Sealed
- Suitable for Horizontal or Vertical Installation



## PULSE VALUES

- DN50 to DN125 – 100 or 1000ltr, special requirements 2.5 and 10ltr available
- DN150 to DN200 – 1000 or 10000ltr; special requirement 100ltr available

## DIMENSIONS



Size DN	mm	50	65	80	100	125	150	200
L	mm	200	200	225	250	250	300	350
H	mm	125	126	172	172	172	172	201
h	mm	75	83	95	105	120	135	160
Weight	Kg	12,5	14	15	18	20	31,5	46

**TECHNICAL DATA**

Size DN	mm	50	65	80	100	125	150	200
Maximum Flow Qmax (CEE)	m <sup>3</sup> /h	30	50	80	120	200	300	500
Nominal Flow Qn (CEE)	m <sup>3</sup> /h	15	25	40	60	100	150	250
Transition Flow Qt (CEE)	m <sup>3</sup> /h	3	5	8	12	20	30	50
Minimum Flow Qmin (CEE)	m <sup>3</sup> /h	0,45	0,75	1,2	1,8	3	4,5	7,5
Maximum Working Temperature	°C	30	30	30	30	30	30	30
	°C	90	90	90	90	90	90	90
Maximum Working Pressure	Bar	16	16	16	16	16	16	16
Maximum Rollers Totalisation	m <sup>3</sup>	9.999.999	9.999.999	9.999.999	9.999.999	9.999.999	9.999.999	9.999.999
Minimum Dial Reading	l	2	2	2	2	2	20	20

SPECIFICATIONS ARE SUBJECT TO CHANGE WITHOUT NOTICE. SPECIFIC WARRANTY AND REMEDY LIMITATIONS APPLY.