

SJ (P) Water Meter

FEATURES

- EEC Class B Approved
- Working pressure 16 Bar
- Dry dial register
- For cold (30°C) or warm (90°C) water
- Brass body
- Sensitivity index
- Counter perfectly sealed
- Suitable for horizontal or vertical installation
- Direct reading on 8 roller indicators, rotating counter through 360°C
5 black digits for cubic meters, 3 red digits for litres



PULSE VALUES

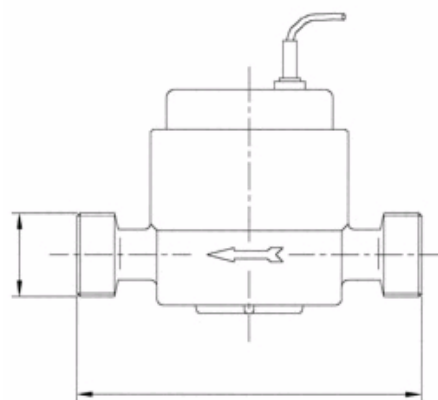
- 0.25, 0.5, 1, 2.5, 5, 10, 25, 50, 100, 250, 500 or 1,000 Litres

TECHNICAL DATA

Size		mm/inch	13-1/2	20-3/4
Nominal Flow Rate	Qn	(m ³ /h)	1.5	2.5
Maximum Flow Rate	Qmax	(m ³ /h)	3	5
Transitional Flow Rate	Qt	(l/h)	120	200
Minimum Flow Rate	Qmin	(l/h)	30	50
Starting Flow Rate		(l/h)	9	15
Dial Register from / to		(m ³)	0,05 / 99,999	0,5 / 99,999

DIMENSIONS

	mm	13	20
	Inches	1/2"	3/4"
L	mm	110	130
Thread (meter)	inches	3/4"	1"
Couplings BSPM	mm		



A* denotes special lengths and threads available on request.

Data provided is subject to technical changes in the course of further development

Last amended February 2010

NORSTROM GROUP LTD
13-14 KINGFISHER COURT, BRYN, WIGAN, LANCASHIRE WN4 9DW
TEL: +44 (0) 1942 722 677 FAX: +44 (0) 1942 271 316
www.norstrom.co.uk