

# MJ (P) Water Meter

## FEATURES

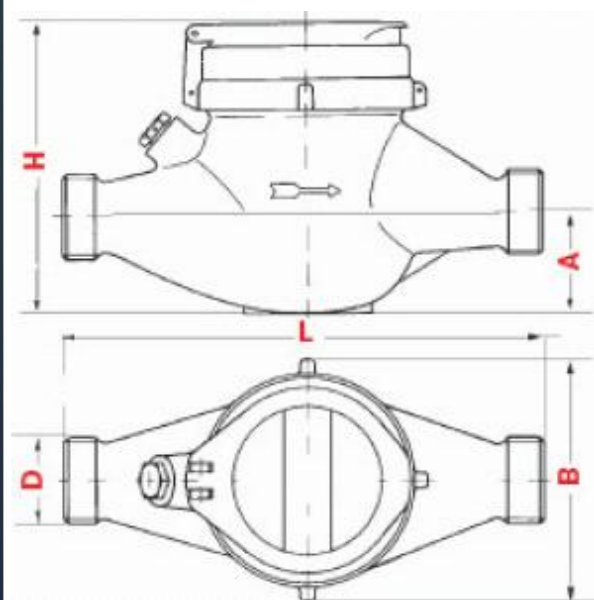
- EEC Approvals - Class B (Horizontal) and Class A (Vertical)
- Working Pressure: 16 Bar
- Dry Dial
- For Cold (30°C) or Warm (90°C) Water
- Brass Body ½" to 1½"
- Cast Iron Body 2"
- Powder Epoxy Coated
- Protected Rollers
- Sensitivity Index
- Real Performances Exceed EEC & ISO Standards
- Counter Perfectly Sealed
- Suitable for Horizontal or Vertical Installation
- Filter provided to eliminate large particles entering metering chamber



## PULSE VALUES

- ½" & ¾" – 0.25, 0.5, 1, 2.5, 5, 10, 25, 50 or 100 Litres
- 1" & 2" – 0.25, 0.5, 1, 2.5, 5, 10, 25, 50, 100, 250, 500 or 1,000 Litres

## DIMENSIONS



S i z e	mm	13	20	25	30	40	50*
	inch	½"	¾"	1"	1" ¼	1" ½	2"
L mm		165 170	190	260	260	300	300
H mm		101	101	120	120	155	165
A mm		37	37	47	47	65	70
B mm		96	96	100	100	136	136
D		¾"	1"	1" ¼	1" ½	2"	2" ½

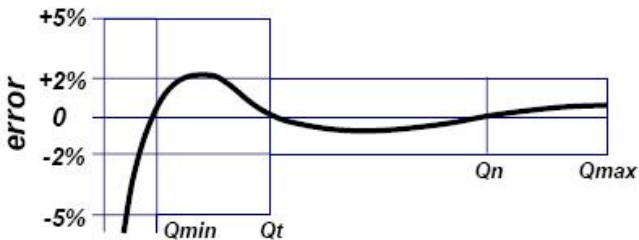
\* Available also with flanges ISO PN10/16

\* 2" cast iron body

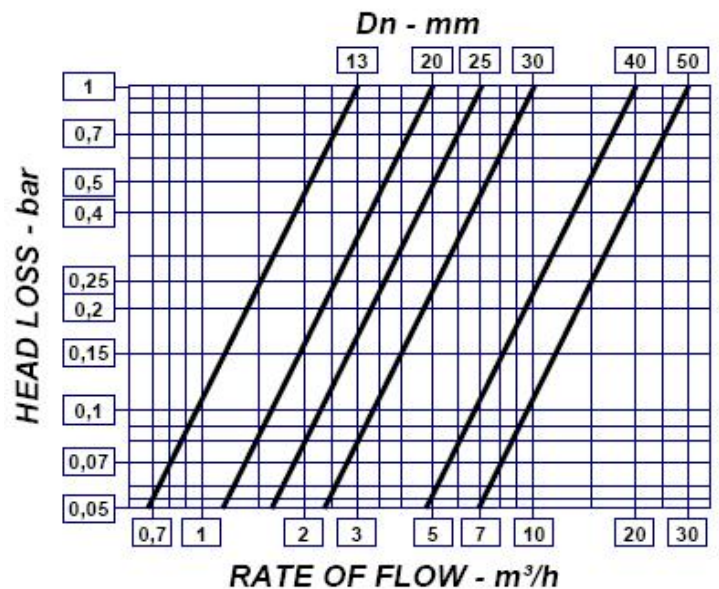
## TECHNICAL DATA

DN	mm	13 - ½"	20 - ¾"	25 - 1"	30 - 1" ¼	40 - 1" ½	50 - 2"
Nominal Flow Qn (CEE)	m <sup>3</sup> /h	1,5	2,5	3,5	6	10	15
Maximum Flow Qmax (CEE)	m <sup>3</sup> /h	3	5	7	12	20	30
Transition Flow Qt (CEE)	l/h	120	200	280	480	800	3000
Minimum Flow Qmin (CEE)	l/h	30	50	70	120	200	450
Sensitivity	l/h	10	12	22	22	50	60
Minimum Dial Reading	l	0,1	0,1	0,1	0,1	0,1	0,1
Maximum Rollers Totalisation	m <sup>3</sup>	99.999	99.999	99.999	99.999	99.999	99.999
Maximum Working Temperature	AF	°C	30	30	30	30	30
	AC	°C	90	90	90	90	90

### TYPICAL ERROR CURVE



### MAX PRESSURE LOSS DIAGRAM



Data provided is subject to technical changes in the course of further development

Last amended October 2010