

# IGT Water Meter

## APPLICATION

- Irrigation water with up-to 30% impurities; i.e mould, seaweed etc.
- Cold Water up to 50°C
- Can be installed in any position  
Horizontal, Vertical or Inclined
- Super Dry Register
- Nominal pressure 16bar

## FEATURES

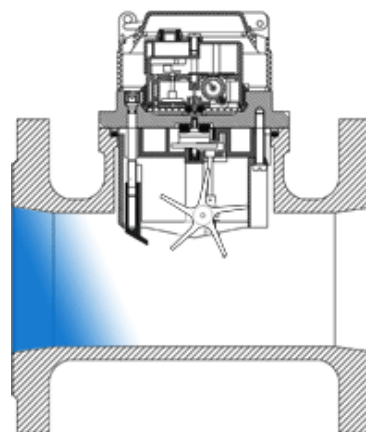
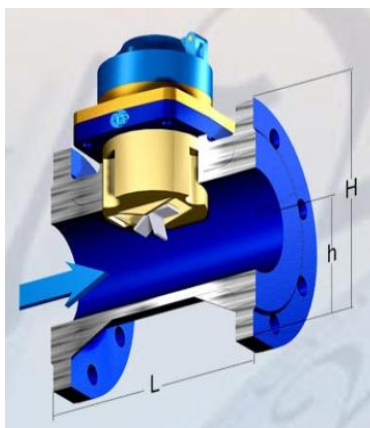
- Immediate reading by numerical dials
- Magnetic transmission
- Pre-equipped with pulse transmitter
- Removal insert
- Metallic lid with lock facility



## PULSE VALUES

- 2" to 5" – 100 or 1,000 Litres
- 6" to 12" – 1,000 or 10,000 Litres

## DIMENSIONS & WEIGHTS



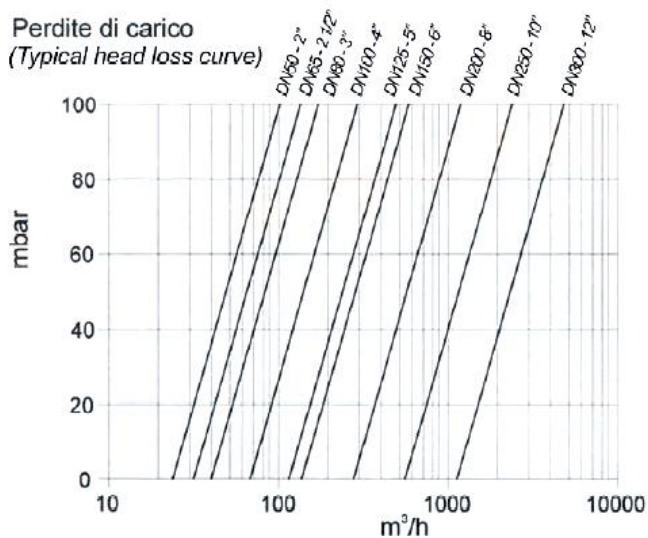
Size	mm	50	65	80	100	125	150	200	250	300
L	mm	200	200	225	250	250	300	350	450	510
H	mm	182	187	189	190	199	199	225	395	450
h	mm	75	80	96	108	120	140	165	192	220
Weights	kg	11	12	14	18	22	27	40	57	82

## TECHNICAL DATA

Size	mm inches	50 2"	65 2 1/2"	80 3"	100 4"	125 5"	150 6"	200 8"	250 10"	300 12"	
Max. Flow Rate Qmax	m³/h	70	100	150	250	350	500	900	1200	1600	
Nominal Flow Qn	m³/h	35	50	75	125	175	250	450	600	800	
Translation Flow Rate Qt	m³/h	10.5	15	22.5	37.5	52.5	75	135	180	240	
Min. Flow Rate Qmin	m³/h	2.8	4	6	10	14	20	36	48	64	
Maximum Reading Dial	m³	10 <sup>7</sup>							10 <sup>8</sup>		
Minimum Reading Dial	m³	5							50		
Max. Temperature	°C	50									
Max. Working Pressure	Bar	16									

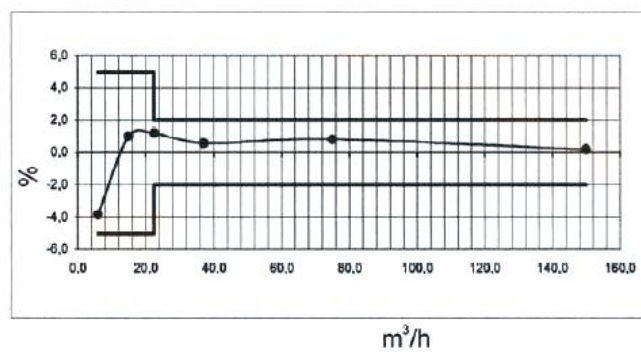
Perdite di carico

(Typical head loss curve)



Curva di errore

(Typical accuracy curve)



Data provided is subject to technical changes in the course of further development

Last amended February 2010