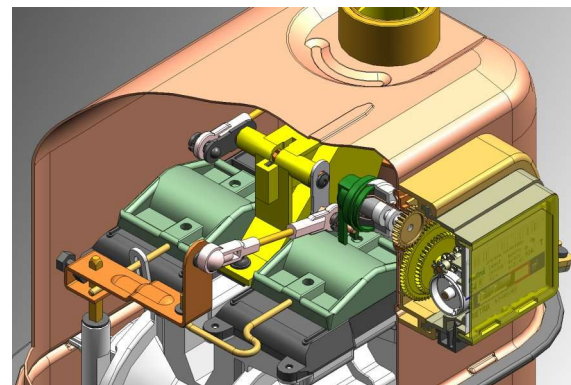


Residential Gas Meter G6

Exact measurement and security



Overview

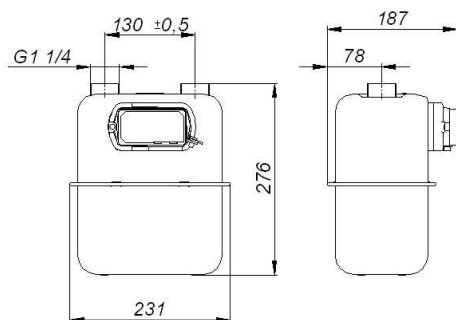
The gas meter 6G6L is a compact G6 meter designed for measurement of gas supplied to apartments where maximum consumption of gas is equivalent to 10m³/h of air of density of 1,2 kg/m³

The gas meters can be used for measurement of:

- Natural gas
- City gas
- Propane-butane gas

Gas meter is equipped with pulse magnet as standard. Pulse transmitter can be added at any time (1 imp = 0,01 m³).

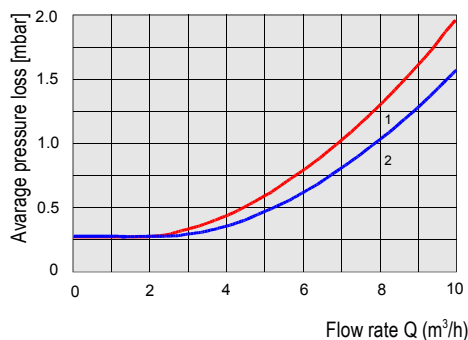
Dimensions



Technical Data

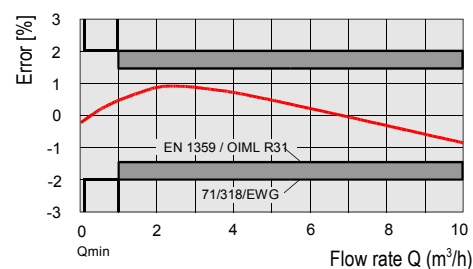
Maximum flow rate:	Q _{max} = 10 m ³ /h
Minimum flow rate:	Q _{min} = 0,06 m ³ /h
Nominal flow rate:	Q _n = 6 m ³ /h
Cyclic volume:	V = 2,2 dm ³
Max. working pressure:	P _{max} = 0,5 bar
Index max indication	99999,999 m ³
Starting flow rate:	8 dm ³ /h
Weight:	3 kg
Fireproof up to 650°C according to EN1359	up to 0,1 bar

Pressure loss curves



1 – air
2 – natural gas

Typical error curves



METRIX SA • Piaskowa 3 • 83-110 Tczew, Poland
tel. +48-58-53 09 318 • fax. +48-58-53 09 204
<http://www.metrix.pl> • e-mail: export@metrix.pl

metrix