

# ISOMAG ™

## *The friendly magmeter*

### MS 600

POLYPROPYLENE SENSOR



**LIGHT "WEIGHT" SENSOR COMPLETELY IN  
POLYPROPYLENE**

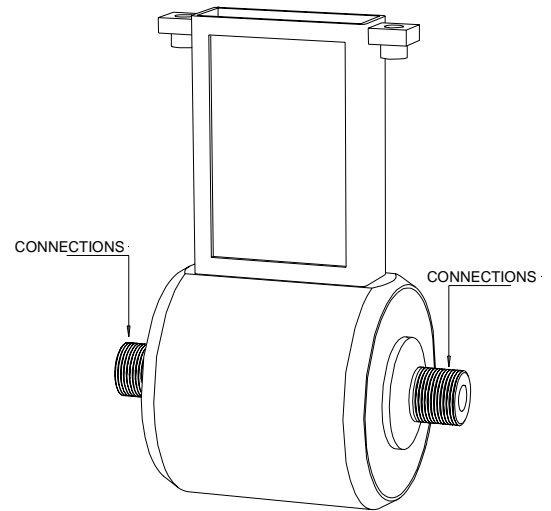
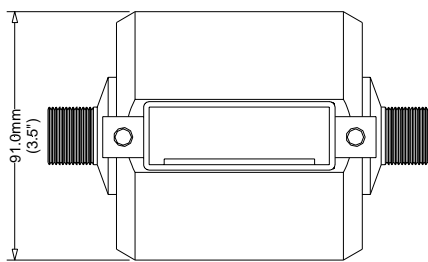
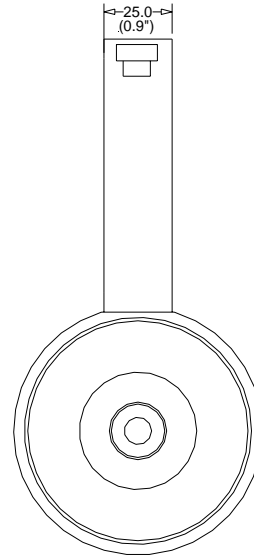
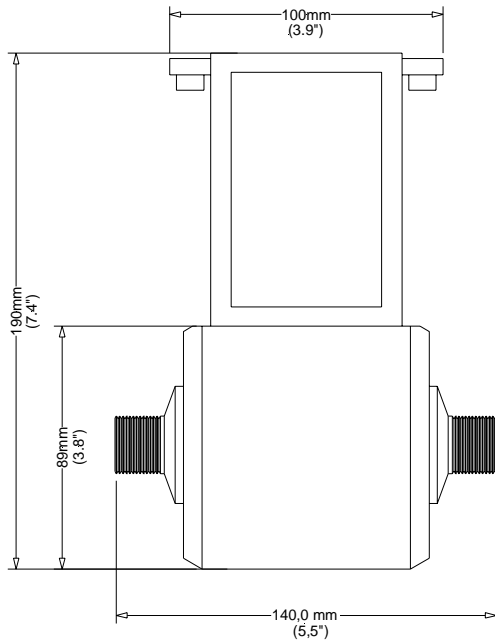
The manufacturer guarantees only English text.  
Available on our web site: [www.isomag.eu](http://www.isomag.eu)

**ISOIL**   
INDUSTRIA  
*The solutions that count*

## TECHNICAL DATA

<b>Body material</b>	<input type="checkbox"/> Polypropylene
<b>Nominal Diameter</b>	<input type="checkbox"/> DN 3 ÷ 20
<b>Nominal Pressure</b>	<input type="checkbox"/> 1600 kPa
<b>Process connections</b>	<input type="checkbox"/> Threaded UNI 338 <input type="checkbox"/> Threaded NTP <input type="checkbox"/> Other on request
<b>Vacuum resistance</b>	<input type="checkbox"/> 10 Kpa absolute at 60 °C
<b>Connections material</b>	<input type="checkbox"/> Polypropylene
<b>Liquid temperature</b>	<input type="checkbox"/> - 0°C ÷ 60°C
<b>Lining material</b>	<input type="checkbox"/> Polypropylene
<b>Gasket material</b>	<input type="checkbox"/> FPM <input type="checkbox"/> EPDM
<b>Electrodes material</b>	<input type="checkbox"/> AISI 316L <input type="checkbox"/> Hastelloy C <input type="checkbox"/> Platinum – rhodium <input type="checkbox"/> Titanium <input type="checkbox"/> Tantalum <input type="checkbox"/> Other on request
<b>Version/ Protection rating</b>	<input type="checkbox"/> Compact – IP 67 <input type="checkbox"/> Separate (max 20m) – IP 68 <input type="checkbox"/> Separate ( max 500m) with pre-amp IP 67 (IP 68 optional)
<b>Accuracy</b>	<input type="checkbox"/> See table below

# OVERALL DIMENSIONS

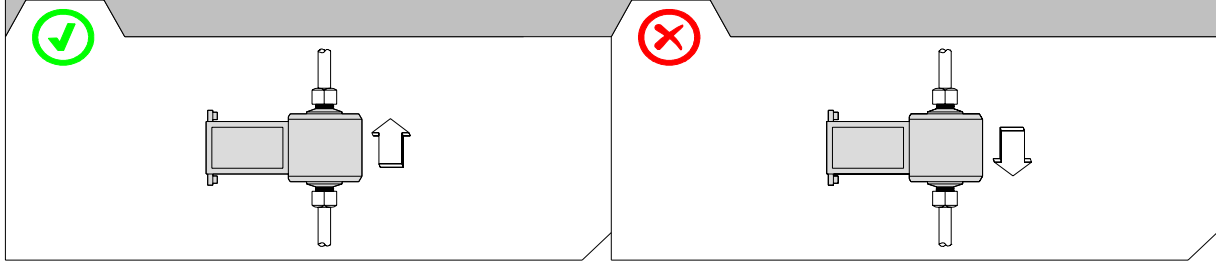


**CONNECTIONS GAS/NPT**

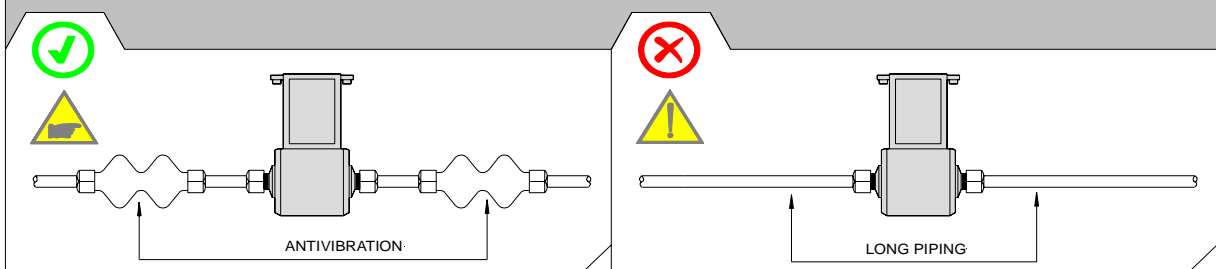
DIMENSIONS mm (inches)	DN				
	3 (1/8")	6 (1/4)	10 (3/8)	15 (1/2")	20 (3/4")
<b>CONNECTIONS</b>	1/4"	3/8"	1/2"	3/4"	1"

# INSTALLATION RECOMMENDATIONS

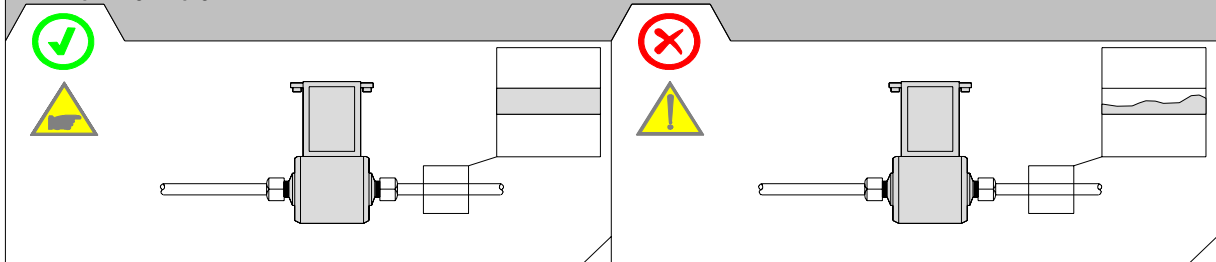
In vertical installations an ascending flow is preferable. For vertical installations with descending flow direction contact the manufacturer



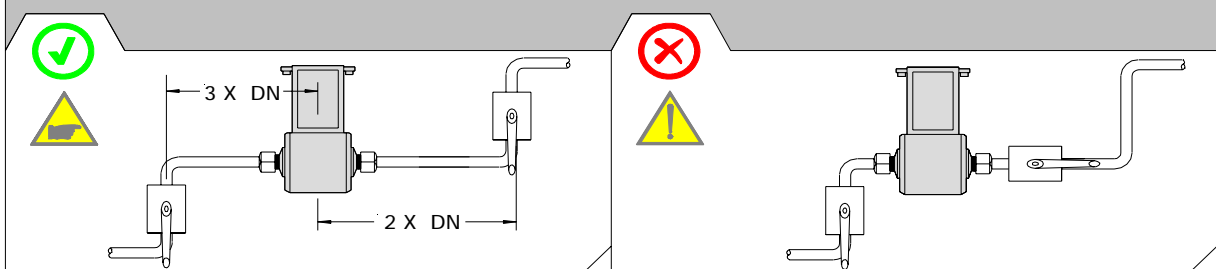
For installations in long pipe lines, please use anti vibration joints



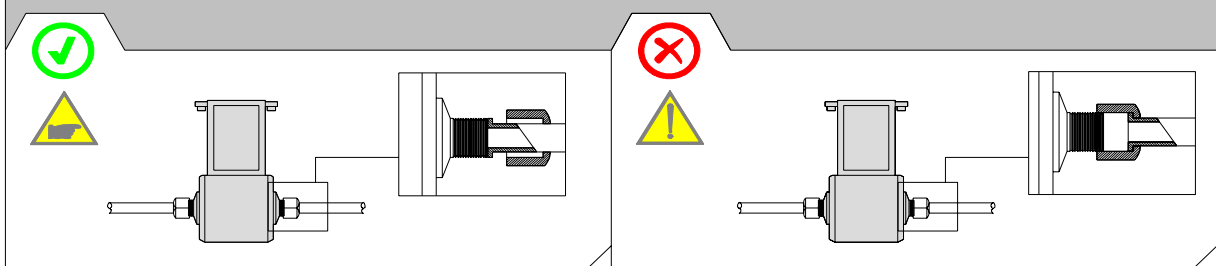
Avoid a partially empty pipe, during operation the pipe must be either completely full of liquid or completely empty



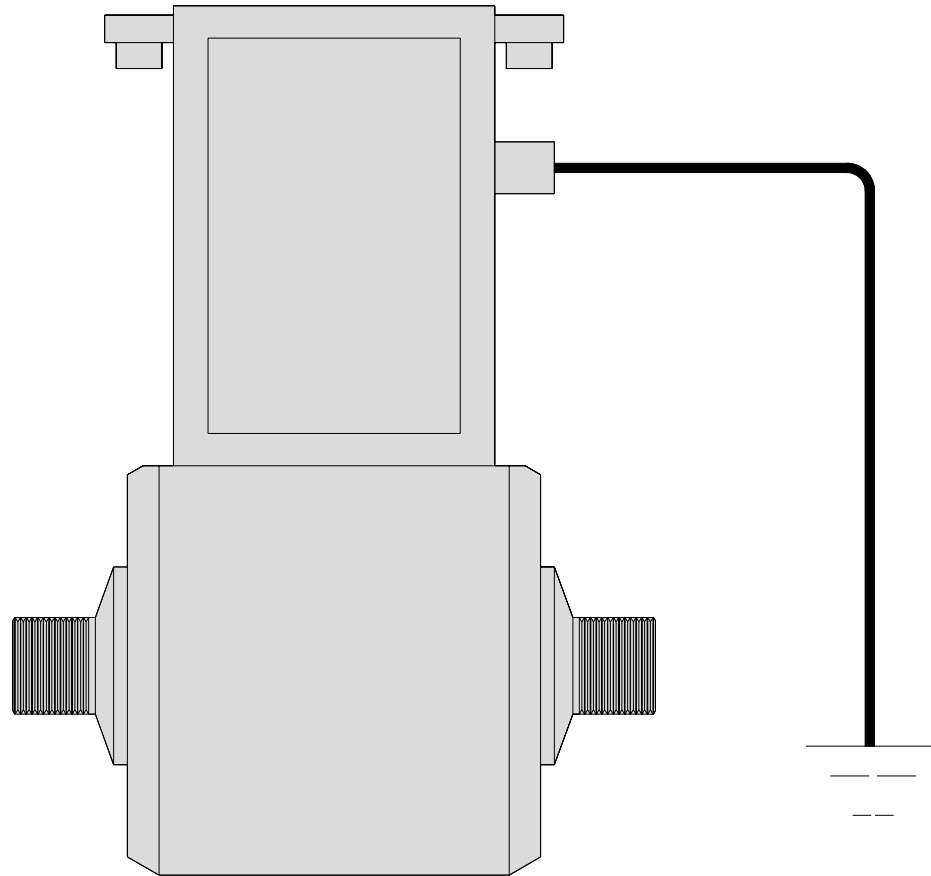
Install the sensor away from bends and hydraulic accessories and hydraulic accessories



Avoid positioning flange and counter flanges by tightening the nuts.

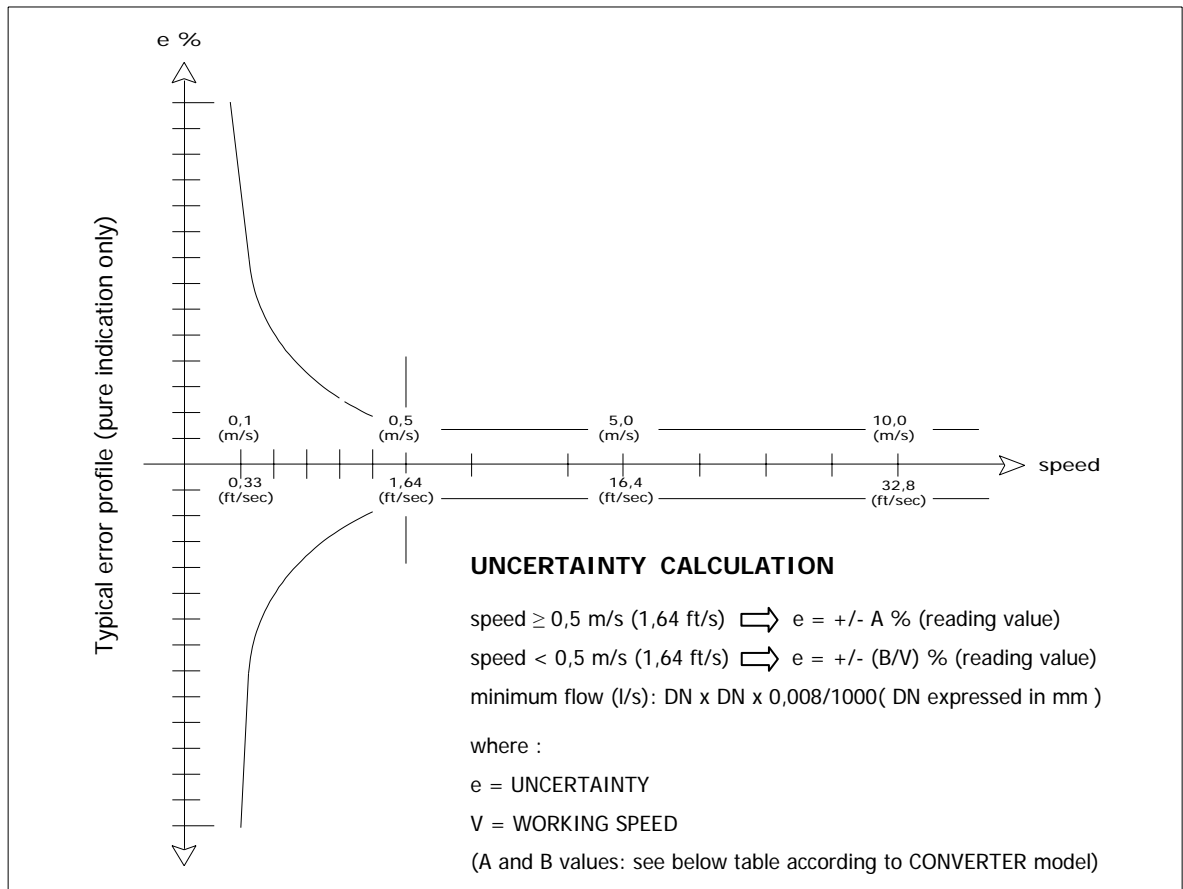


## SENSOR GROUNDING



**For the correct operation of the meter the sensor and liquid must be equipotential. ALWAYS connect sensor and converter to the ground.**

## ACCURACY TABLE



### AC/DC POWERED CONVERTERS

ML 51			ML 110 – STD			ML 110 – SA*			ML210/211/212			ML4F1		
A	B (m/s)	B (ft/s)	A	B (m/s)	B (ft/s)	A	B (m/s)	B (ft/s)	A	B (m/s)	B (ft/s)	A	B (m/s)	B (ft/s)
0,5	0,25	0,82	0,8	0,4	1,31	0,4	0,2	0,66	0,4	0,2	0,33	0,4	0,2	0,33

\* SPECIAL ACCURACY

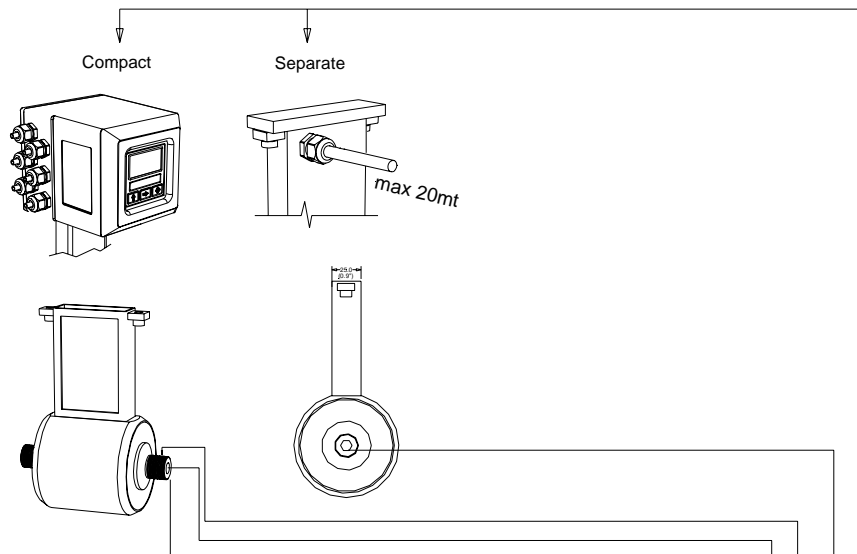
### FLOWIZ™ BATTERY POWERED CONVERTERS

ML 250			ML 252		
A	B (m/s)	B (ft/s)	A	B (m/s)	B (ft/s)
0,5	0,25	0,82	0,5	0,25	0,82

Reference conditions :

- Constant flow rate during the test
- Pressure: >30 Kpa
- Flow condition : fully developed flow profile
- Zero stability +/- 0,005 %

## HOW TO ORDER



MS 600	Nominal Diameter - Lining - Measuring range
P03	DN3 ( 1/8 " ), PP lining, measuring range 0.. 10 / 0...250 l/h
P06	DN6 ( 1/4 " ), PP lining, measuring range 0...40/0...1000 l/h
P10	DN10 ( 3/8 " ), PP lining, measuring range 0..120/0...3000 l/h
P15	DN15 ( 1/2 " ), PP lining, measuring range 0.. 240/0...6000 l/h
P20	DN20 ( 3/4 " ), PP lining, measuring range 0.. 500/0...12500 l/h
<b>Gasket material (internal tightness)</b>	
1	O-Ring : FPM
2	O-Ring : EPDM
4	O-Ring : FFKM
9	O-Ring : other O-Ring
<b>Process connection type</b>	
A	UNI 338
B	NPT
Z	Other fittings
<b>Number and electrodes material</b>	
2	n. 4 ( 2 measure + 2 for ground ) electrodes in AISI 316L
4	n. 4 ( 2 measure + 2 for ground ) electrodes in Hastelloy C
5	n. 4 ( 2 measure + 2 for ground ) electrodes in Titanium
6	n. 4 ( 2 measure + 2 for ground ) electrodes in Tantalum
7	n. 4 ( 2 measure + 21 for ground ) electrodes in Platinum/Rhodio
0	other
<b>Version - Protection rate</b>	
A	Compact version, IP67 protection rate, liquid maximum temperature 60 °C
B	Separate version , maximum length 20m, remember to added the cables cost, protection rate IP68 (standing immersion with 1,5 m of head water)
F	Separate version with N° 2 connectors IP 68 suitable for C015/16 for fast cable connections ( max 20 m-ADD THE COST )
G	Separate version with N° 1 connectors IP 68 suitable for C018 for fast cable connections ( max 20 m-ADD THE COST )
M	Compact version, IP67 protection rate , with the possibility to turn the converter 90°

MS 600 P20 1 A 1 A **EXAMPLE OF ORDER CODE**

The manufacturer reserves the right to make design improvements without notice.