

ISOMAG ™

The friendly magmeter

MS 5000

CIAO SENSOR



**EXTREMELY EASY TO INSTALL THANKS TO PATENTED WRAPPER
FIXING SYSTEM**

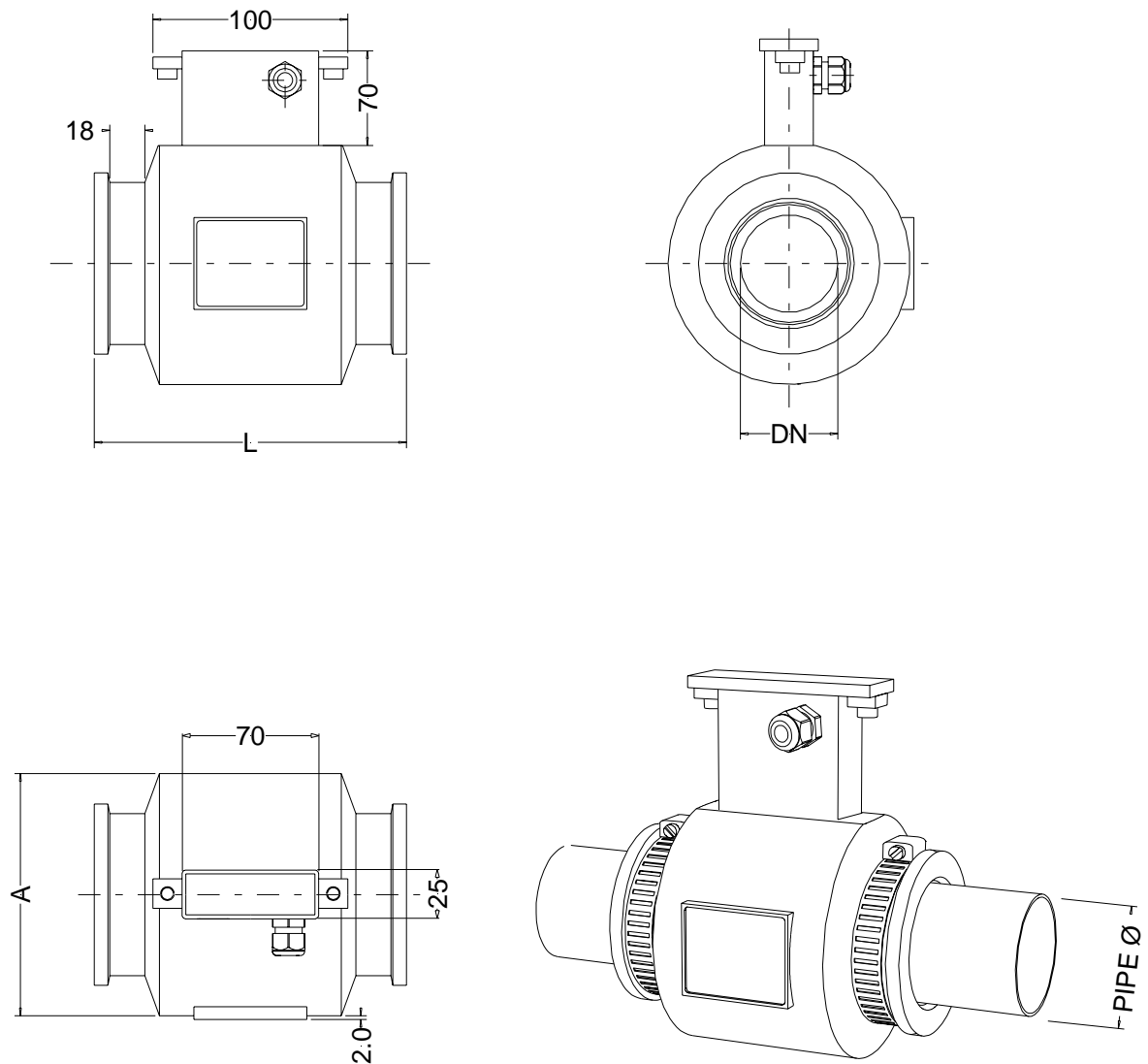
Warranty conditions are available on this website:
www.isomag.eu only in English version

ISOIL 
INDUSTRIA
The solutions that count

TECHNICAL DATA

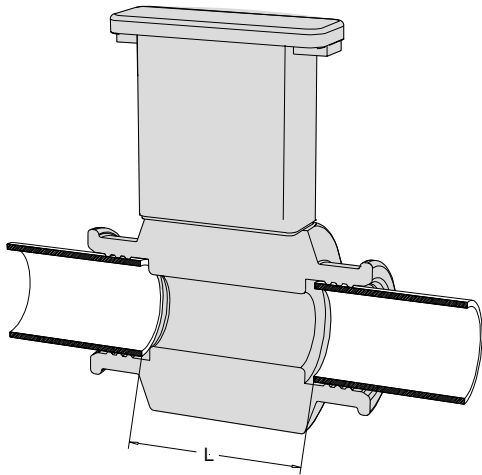
Body material	<input type="checkbox"/> Polyurethane rubber
Nominal diameter	<input type="checkbox"/> DN 25 – 50 – 80
Nominal pressure	<input type="checkbox"/> PN 6
Process connection	<input type="checkbox"/> Wrapper fixing
Liquid temperature	<input type="checkbox"/> 0°C ÷ 50°C
Vacuum resistance	<input type="checkbox"/> 20 Kpa a 50 °C
Lining material	<input type="checkbox"/> Polyurethane rubber
Gasket material	<input type="checkbox"/> FPM <input type="checkbox"/> EPDM
Electrodes material	<input type="checkbox"/> SS AISI 316L <input type="checkbox"/> Hastelloy C <input type="checkbox"/> Titanium
Version – protection rating	<input type="checkbox"/> Compact – IP 67 <input type="checkbox"/> Separate (max 20m) – IP 68
Accuracy	<input type="checkbox"/> See table below

OVERALL DIMENSIONS

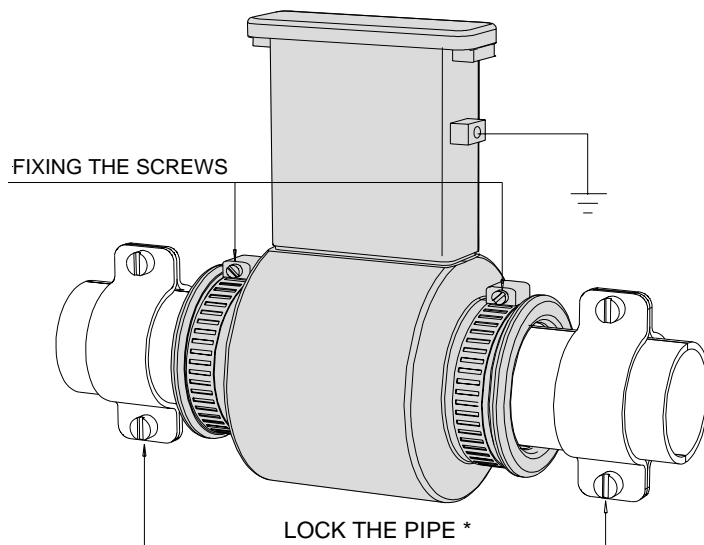


DIMENSIONS mm			
	25 (1")	50 (2")	80 (3")
A	80	124	154
L	135	160	190
PIPE Ø (ISO)	33.7	60.3	88.9

INSTALLATION



DN	L (mm)	L (inches)
25	92	3.62
50	108	4.25
80	138	5.43

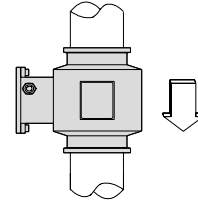
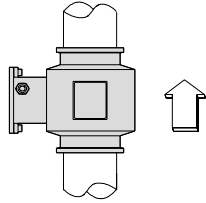


* Lock the pipe to a fixed support

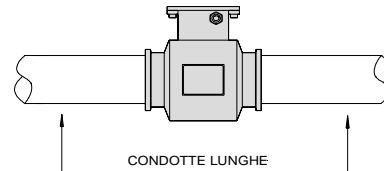
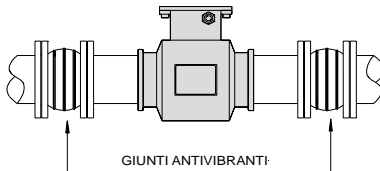
- Verify the flow direction
- Assemble the sensor to the pipe
- Tighten the wrapper to avoid possible leakages
- Connect the instrument to ground by the screw attachment on sensor

INSTALLATION RECOMMENDATION

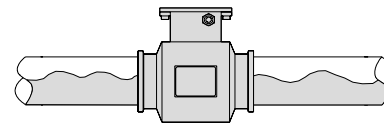
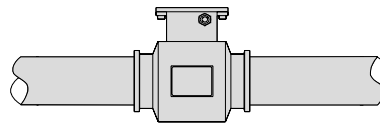
In vertical installations an ascending flow is preferable. For vertical installations with descending flow direction contact the manufacturer.



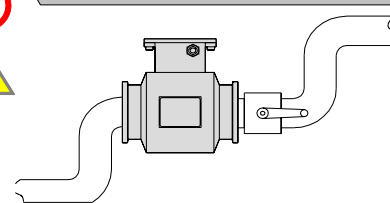
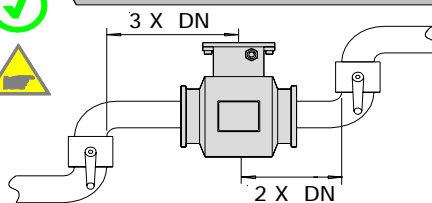
For installations in long pipe lines, please use anti vibration joints



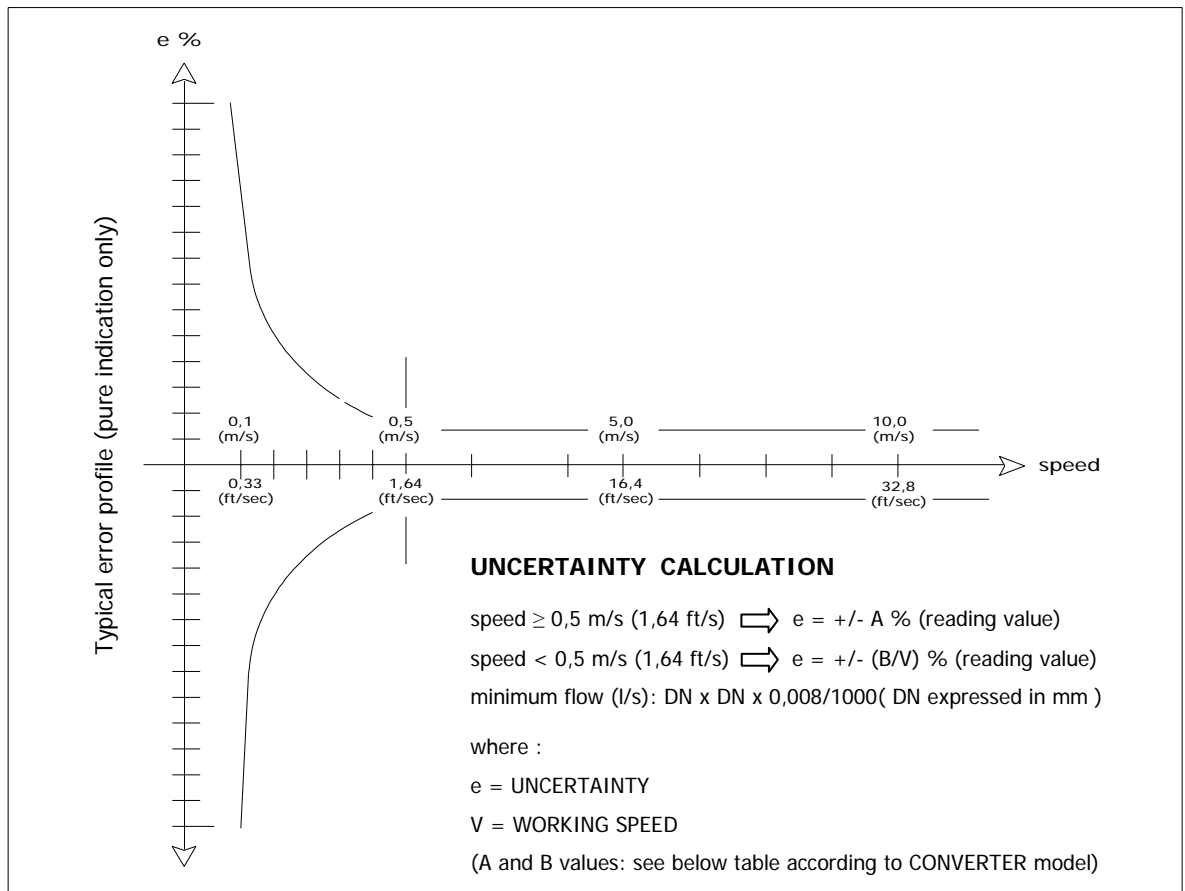
Avoid the functioning with partially empty pipe, during the functioning the pipe must be either completely full of liquid or completely empty



Install the sensor away from bends and hydraulic accessories



ACCURACY TABLE



AC/DC POWERED CONVERTERS

ML 51			ML 110 – STD			ML 110 – SA*			ML210/211/212			ML4F1		
A	B (m/s)	B (ft/s)	A	B (m/s)	B (ft/s)	A	B (m/s)	B (ft/s)	A	B (m/s)	B (ft/s)	A	B (m/s)	B (ft/s)
2,0	1,0	3,28	2,0	1,0	3,28	2,0	1,0	3,28	2,0	1,0	3,28	2,0	1,0	3,28

* SPECIAL ACCURACY

FLOWIZ™ BATTERY POWERED CONVERTERS

ML 250			ML 252		
A	B (m/s)	B (ft/s)	A	B (m/s)	B (ft/s)
2,0	1,0	3,28	2,0	1,0	3,28

Reference conditions :

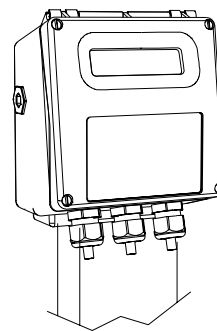
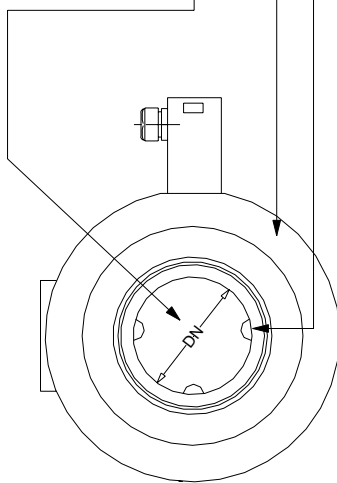
- Constant flow rate during the test
- Pressure: >30 Kpa
- Flow condition : fully developed flow profile
- Zero stability +/- 0,005 %

HOW TO ORDER

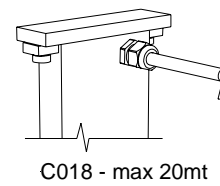
MS 5000	Nominal DN / Lining / Max. Temp.
	C25 ÷ C80 DN25 (1") - DN 50 (2") - DN 80 (3"), in POLIURHETANE, max. liquid temperat 50 °C
Gasket Material	
A	O-Ring : FPM
B	O-Ring : Epdm
Z	O-Ring : other O-Ring
Number and material of electrodes	
2	n. 3 electrodes in AISI316 L (2 measure + 1 ground)
4	n. 3 electrodes in Hastelloy C 276 (2 measure + 1 ground)
5	n. 3 electrodes in Titanium (2 measure + 1 ground)
Version - Protection degree	
A	Compact version IP65, max liquid temp. 50 °C
B	Separate version (max lenght 10 (20 see note 1) m., max liquid temperature 50 °C, IP68
M	Compact version, IP67 protection rate , with the possibility to turn the converter 90°

MS 5000 P25 A 2 A

EXAMPLE OF ORDER CODE



Compact



Separate

The manufacturer reserves the right to make design improvements without notice.